

Analytical Weighing Sensor

AD-4212B

Series



*For the maximum efficiency of
your production line*



A&D ...Clearly a Better Value
A&D Company, Limited
<http://www.aandd.jp>

Our SHS* (Super Hybrid Sensor) now enters into the realm of semi-micro (0.01mg) balances...

*Patent approved

What is your application? Filling capsules with medicines? Monitoring the volume of battery liquid? Or perhaps controlling the amount of resistor ink for semiconductors? Whatever it may be, if you require a high-speed, precise weighing system and are looking for a way to **improve productivity** and **reduce costs**, the AD-4212B series is definitely the best solution.



Compact

Slim separate weighing sensor unit (80mm width) for compact alignment

Precise

Semi-micro, 0.01mg weighing in a production line (AD-4212B-102)

Fast

Just 4.0 seconds for 0.01mg weighing sensitivity

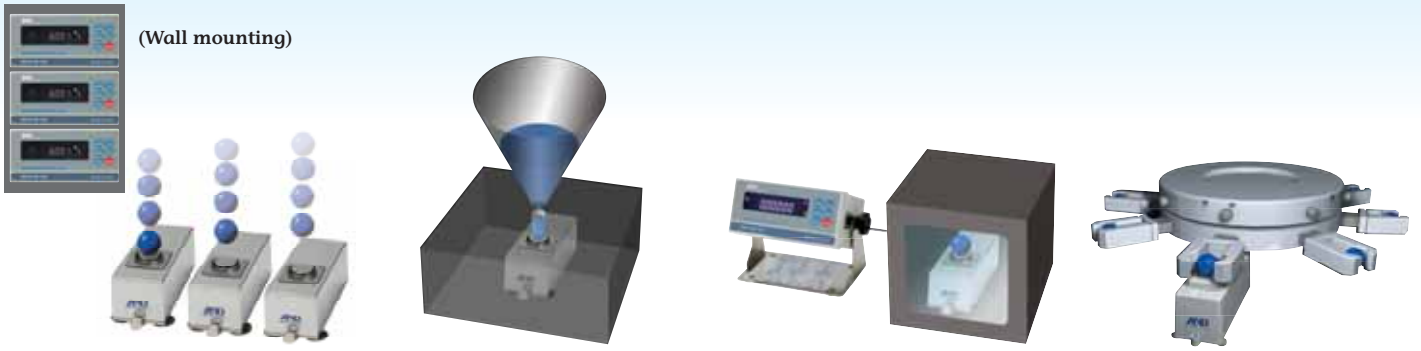
Durable

Chemically resistant, stainless steel (SUS304) + IP54 weighing sensor unit

AD-4212B



Applications



High speed
check-weighing

Precise weight filling
or dispensing

Isolated weighing

High speed
weighing system

Extensive Communication Functions

Standard I/O:

RS-232C interface

5-level comparator contact output with buzzer

Optional I/O:

LAN-Ethernet interface (AD4212A-08) with WinCT-Plus Software

BCD output / External contact input (AD4212A-01)

The RE-ZERO and PRINT keys can be controlled externally.

A free copy of Windows Communication Tools Software (WinCT) is provided.

Shock Absorber Function*

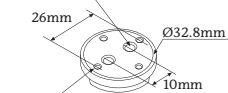
The internal shock absorber protects the mass sensor from the adverse effects of vertical or transverse overloading. *Patent approved

Design a Special Weighing Pan

The standard weighing pan and pan support can be removed to install a weighing pan of your own design for a specific purpose.

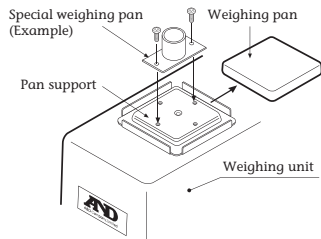
AD-4212B-102

Two points on the center
M3 flat head screw: Length 5 mm or less

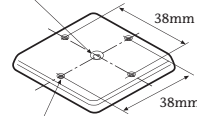


Four points on the peripheral
M3 screw: Length 5 mm or less

AD-4212B-201/301



Center
M3 flat head screw: length 5 mm or less



Four points on the peripheral
M3 screw: length 5 mm or less

Standard, Stainless Steel Breeze Break



Specifications

Models	AD-4212B-102	AD-4212B-201	AD-4212B-301
Weighing capacity	110g	210g	310g
Minimum weighing value	0.01mg	0.1mg	0.1mg
Counting mode	Minimum unit mass	0.1mg	
	Number of samples	10, 25, 50 or 100 pieces	
Percent mode	Minimum 100% reference mass	10.0mg	
	Minimum 100% display	0.01%, 0.1%, 1% (depends on the reference mass stored)	
Repeatability (Standard Deviation)	30g 0.02mg	0.1mg	0.2mg
	100g 0.04mg		
Linearity	±0.1mg	±0.2mg	±0.3mg
Stabilization time (TYP at FAST response under good environment)	Approx. 4.0 sec	Approx. 2.5 sec	Approx. 2.5 sec
Display refresh rate	10 times/second (5 times/second can be selected)		
I/O unit	RS-232C	Bi-directional, 600-19200 bps	
	Comparator contact output	3-level or 5-level output with buzzer	
	External contact input	RE-ZERO, PRINT	
Sensitivity drift	±2 ppm/°C (10°C to 30°C /50°F to 86°F)		
Operating environment	5°C to 40°C (41°F to 104°F), 85%RH or less (no condensation)		
Calibration weight provided (conforming to OIML Class F1)	50g	100g	100g
Applicable calibration weight value	10g, 20g, 50g, 100g	10g, 20g, 50g, 100g, 200g	10g, 20g, 50g, 100g, 200g, 300g
Weighing unit	Dimensions	80(W) x 230(D) x 90(H)mm	
	Weighing pan	Ø34mm	50 x 50mm
	Weight	Approx. 2.3kg	
Display unit	Dimensions	237(W) x 150(D) x 155(H) mm	
	Weight	Approx. 2kg	
Connection cable	Approx. 2m (between weighing unit and display unit)		
Power supply	AC adaptor		
Power consumption	Approx. 11VA (supplied to the AD adaptor)		

Options

AD-4212A-01	BCD output / External contact input
AD-4212A-07	Extension cable (3m)
AD-4212A-08	Ethernet interface (with application software WinCT-plus in CD-ROM)
AD-4212A-19	Stainless steel breeze break (standard)
AD-4212A-20	Metal leveling foot

Accessories

AD-8121B	Compact printer
AD-8118C	Universal printer
AD-8951	Comparator light
AD-1683EX	Static eliminator



AD-8121B



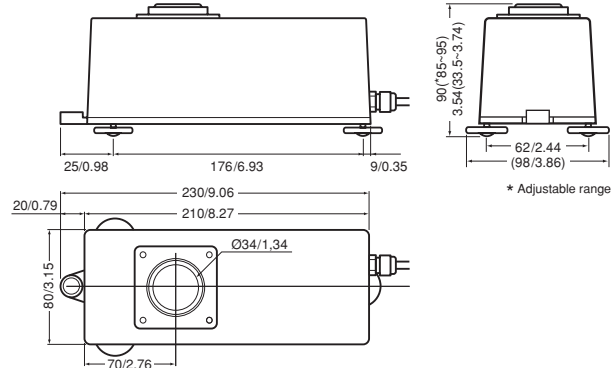
AD-8951



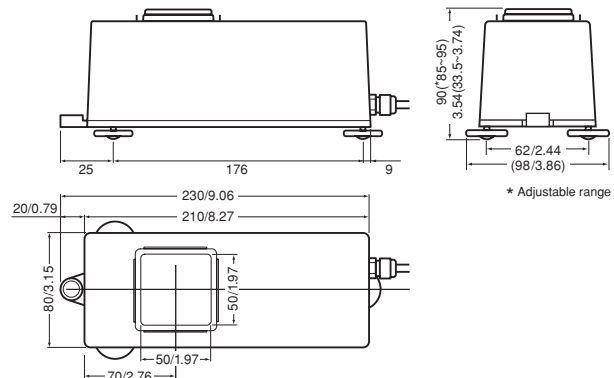
AD-1683EX

Dimensions(mm/inch)

AD-4212B-102



AD-4212B-201 / 301



A&D Company, Limited

3-23-14 Higashi-Ikebukuro, Toshima-ku, Tokyo 170-0013 JAPAN
Telephone:[81](3) 5391-6132 Fax:[81](3) 5391-6148
http://www.aandd.jp

A&D ENGINEERING, INC.

1756 Automation Parkway, San Jose, CA 95131 U.S.A.
Telephone:[1](408) 263-5333 Fax:[1](408) 263-0119

A&D MERCURY PTY, LTD.

32 Dew Street, Thebarton, South Australia 5031 AUSTRALIA
Telephone:[61](8) 8301-8100 Fax:[61](8) 8352-7409

A&D INSTRUMENTS LTD.

Unit 24/26 Blacklands Way Abingdon Business Park,
Abingdon, Oxon OX14 1DY UNITED KINGDOM
Telephone:[44](1235) 550420 Fax:[44](1235) 550485

<German Sales Office>

Große Straße 13 b 22926 Ahrensburg GERMANY
Telephone:[49](0) 4102 459230 Fax:[49](0) 4102 459231

A&D KOREA Limited

Manhattan Bldg. 8F, 36-2 Yoido-dong, Youngdeungpo-gu, Seoul, KOREA
Telephone:[82](2) 780-4101 Fax:[82](2) 782-4280

A&D RUS CO., LTD.

Vereyskaya str.112 Kuntsevo Block, 121357,
Moscow, Russia
Telephone: [7] (495) 937-33-44 Fax: [7] (495) 937-55-66