



**Washable!**

# TITAN Mini Series

Trans-Industrial Technology Advanced Node

## HL-WP

Dust & Waterproof Digital Scales

**IP65**



**Stainless Steel Body**



**A&D** ...Clearly a Better Value  
A&D Company, Limited  
<http://www.aandd.jp>





**Food Service**



**Factory**

## Easy & simple to use for sanitary applications!

- Washable body IP65 (stainless steel body)
- Small-footprint
- 1/3000 high resolution  
(HL-300WP, HL-3000WP & HL-3000LWP)
- Portable  
(6 AA-type batteries, batteries not included)
- Stability indicator
- Tare function
- Auto power off
- AC adapter (optional)

### Specifications

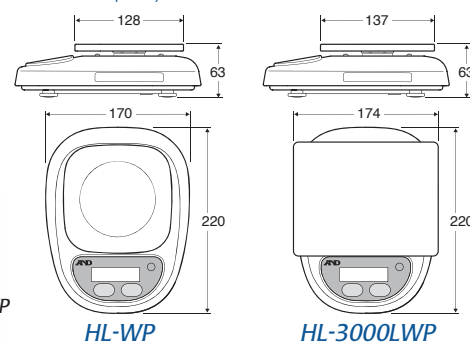
HL-WP	HL-300WP	HL-1000WP	HL-3000WP	HL-3000LWP
Capacity	300g	1000g	3000g	3000g
Resolution	0.1g	0.5g	1g	1g
Display	12mm height, 7 segment Liquid Crystal Display			
Display update	Approx. 4 times per second			
Pan size	128(W) x 128(D)mm 5.04(W) x 5.04(D)inches		174(W) x 137(D)mm 6.85(W) x 5.39(D)inches	
Dimensions	170(W) x 220(D) x 63(H)mm 6.68(W) x 8.64(D) x 2.50(H)inches		174(W) x 220(D) x 63(H)mm 6.8(W) x 8.6(D) x 2.50(H)inches	
Battery life (approx.)	Approx. 100 hours with manganese, 200 hours with alkaline			
Weight (approx.)	Approx. 870g		Approx. 950g	
Power	6 x R6P / LR6 / "AA" size batteries or AC adapter			

*Specifications subject to change for improvement without notice.*

### Accessories

AX-TB125 AC Adapter AC200~240V 'C'plug  
 AX-TB126 AC Adapter AC200~240V 'BF/S/no'plug  
 AX-TB196 AC Adapter AC100V  
 AX-TB202 AC Adapter AC120V

### Dimensions (mm)



Model	Capacity & Resolution
<b>HL-300WP</b>	<b>300g x 0.1g</b>
<b>HL-1000WP</b>	<b>1000g x 0.5g</b>
<b>HL-3000WP</b>	<b>3000g x 1g</b>
<b>HL-3000LWP</b>	<b>3000g x 1g</b>



HL-WP



HL-3000LWP



**TITAN Family**

**TITAN** Compact Series  
**SK-WP**  
 Dust & Waterproof Digital Scales



Model	Capacity & Resolution
<b>SK-1000WP</b>	<b>1000g x 0.5g</b>
<b>SK-2000WP</b>	<b>2000g x 1g</b>
<b>SK-5000WP</b>	<b>5000g x 2g</b>
<b>SK-5001WP</b>	<b>5000g x 1g</b>
<b>SK-10KWP</b>	<b>10kg x 0.005kg</b>
<b>SK-20KWP</b>	<b>20kg x 0.01kg</b>

.....  
 Pan size: 232(W)x192(D)mm

**A&D** ...Clearly a Better Value

**A&D Company, Limited**  
 3-23-14 Higashi-Ikebukuro, Toshima-ku, Tokyo 170-0013 JAPAN  
 Telephone: [81](3) 5391-6132 Fax: [81](3) 5391-6148  
 http://www.aandd.jp

**A&D ENGINEERING, INC.**  
 1756 Automation Parkway, San Jose, CA 95131 U.S.A.  
 Telephone: [1](408) 263-5333 Fax: [1](408) 263-0119

**A&D Australasia Pty Ltd.**  
 32 Dew Street, Thebarton, South Australia 5031 AUSTRALIA  
 Telephone: [61](8) 8301-8100 Fax: [61](8) 8352-7409

**A&D INSTRUMENTS LTD.**  
 Unit 24/26 Blacklands Way Abingdon Business Park,  
 Abingdon, Oxon OX14 1DY UNITED KINGDOM  
 Telephone: [44](1235) 550420 Fax: [44](1235) 550485

**<German Sales Office>**  
 Große Straße 13 b 22926 Ahrensburg GERMANY  
 Telephone: [49](0) 4102 459230 Fax: [49](0) 4102 459231

**A&D KOREA Limited**  
 Manhattan Bldg. 8F, 36-2 Yoido-dong, Youngdeungpo-gu, Seoul, KOREA  
 Telephone: [82](2) 780-4101 Fax: [82](2) 782-4280

**A&D RUS CO., LTD.**  
 Vereyskaya str.17, Moscow, 121357 RUSSIA  
 Telephone: [7] (495) 937-33-44 Fax: [7] (495) 937-55-66

**A&D Instruments India Private Limited**  
 509 Udyog Vihar Phase V  
 Gurgaon-122 016, Haryana, INDIA  
 Telephone: [91](124) 471-5555 Fax: [91](124) 471-5599