

High Precision Weighing Module for Production Lines

AD4212L

Series

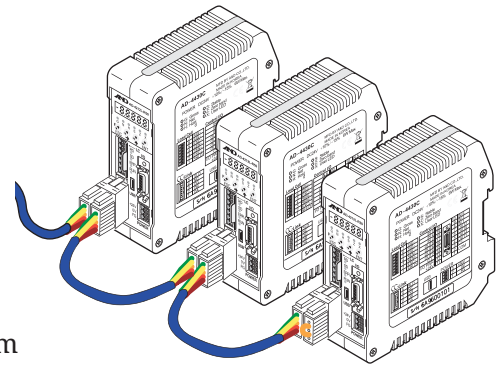
Modbus RTU



Powerful vibration cancelling filter
Strong overload protection
High-speed sampling 1000 times per second



- Compact size weighing unit with a width of 30mm
- Fast response time
- Din rail mounting type display unit
- Standard RS-485 interface for Modbus-RTU
- Modbus-RTU connection (max. 31 units)
- Standard control I/O (6 input / 8 output points)
- Weighing sensor equipped with an overload protection mechanism for up, down, left, right, front and rear making it extremely durable.
- Digital filter that can remove vibration without using a lot of mechanical devices to prevent vibration

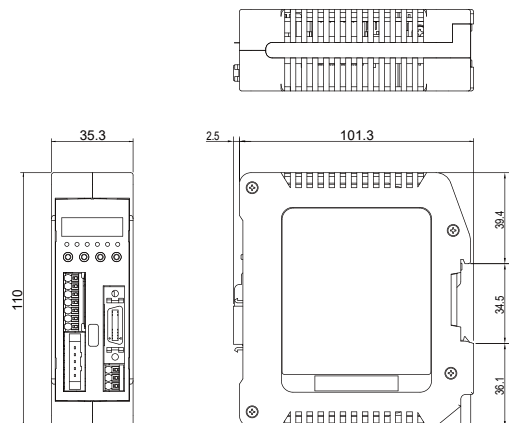
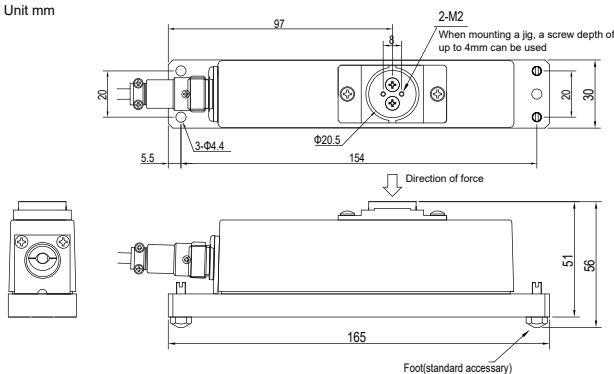


Specification

| | AD4212L-R50 | AD4212L-R100 |
|--|--|--|
| Capacity | 51g | 110g |
| Minimum weighing value | 0.001g | 0.001g |
| Readability (Standard deviation) | 0.001g | 0.002g |
| Stabilization time (when set to optimum filter under a good environment) | 0 - 5g 0.3 second 5 - 51g 1.0 second | 0 - 5g 0.3 second 5 - 110g 1.3 second |
| Weighing pan | Ø20.5 mm | |
| Weighing unit external dimensions / weight | 30 (W) x 165 (D) x 56 (H) mm / 400g | |
| Cable diameter / Length | Ø4.5 mm / 10m | |
| Ability of the stopper to withstand overload | 1 kg | |
| Allowable moment | 0.015N·m or less | 0.03N·m or less |
| Display unit external dimensions / weight | 35 (W) x 101 (D) x 110 (H) mm / 200g | |
| Power supply | DC 24V +10% -15% | |
| Sampling rate | 1000 times / second | |
| Interface | RS-485 (Modbus-RTU) / USB 2.0 | |
| Control I/O | 6 input / 8 output points | |
| Operating environment | -10°C to 40°C 85%RH or less (No condensation) | |
| Standard accessories | RS-485 connector (2pcs), Branch connector (1pcs) Leveling feet (3pcs) | |

*RS-485 connector 3M 35505-6200-A00GF Branch connector 3M 35715-L010-A00AK

Unit mm



Appearance and/or specifications subject to change for improvement without notice.



Discover Precision

A&D Company, Ltd.

3-23-14 Higashi-Ikebukuro, Toshima-Ku, Tokyo, 170-0013, Japan Tel: +81 3-5391-6132 Fax: +81 3-5391-1566 <http://www.aandd.jp>

A&D Engineering, Inc.

1756 Automation Parkway, San Jose, CA 95131, U.S.A. Tel: +1 408-263-5333 Fax: +1 408-263-0119

A&D Australasia Pty Ltd.

32 Dew Street, Thebarton, South Australia 5031, Australia Tel: +61 8-8301-8100 Fax: +61 8-8352-7409

A&D Instruments Ltd.

Unit 24/26 Blacklands Way, Abingdon Business Park, Abingdon, Oxfordshire, OX14 1DY, United Kingdom Tel: +44 1235-550420 Fax: +44 1235-550485

<German Sales Office>

Hamburger Straße 30, D-22926, Ahrensburg, Germany Tel: +49 4102-459230 Fax: +49 4102-459231

A&D Korea Ltd.

8F Manhattan Bldg., 33, Gukjegeumyung-ro 6-gil, Yeongdeungpo-gu, Seoul, 07331, Korea Tel: +82 2-780-4101 Fax: +82 2-782-4280

A&D Rus Co., Ltd.

Vereyskaya Str. 17, 121357, Moscow, Russia Tel: +7 495-937-33-44 Fax: +7 495-937-55-66

A&D Instruments India (P) Ltd.

509 Udyog Vihar Phase V Gurgaon-122 016, Haryana, India Tel: +91 (124) 471-5555 Fax: +91 (124) 471-5599