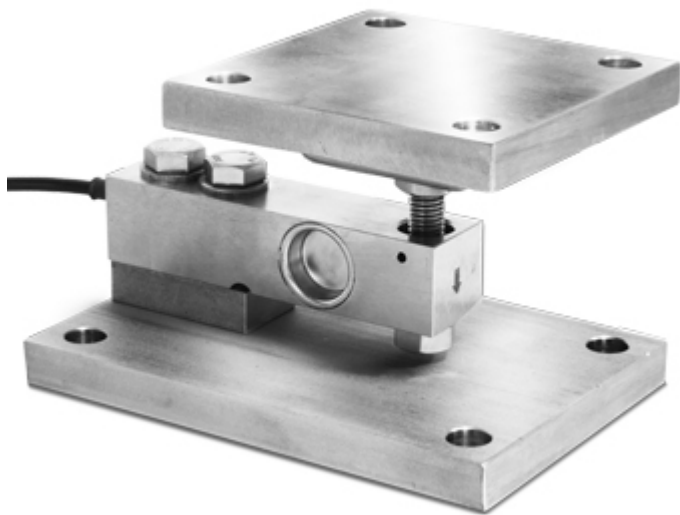


KSB

"KSB" series stainless steel kit, for SBX/SBK shear beam load cells



Mounting kit for SBX/SBK series shear beam cells from 3.000 to 5.000kg, suitable for weighing hoppers, tanks, platforms etc. ADVANTAGES:

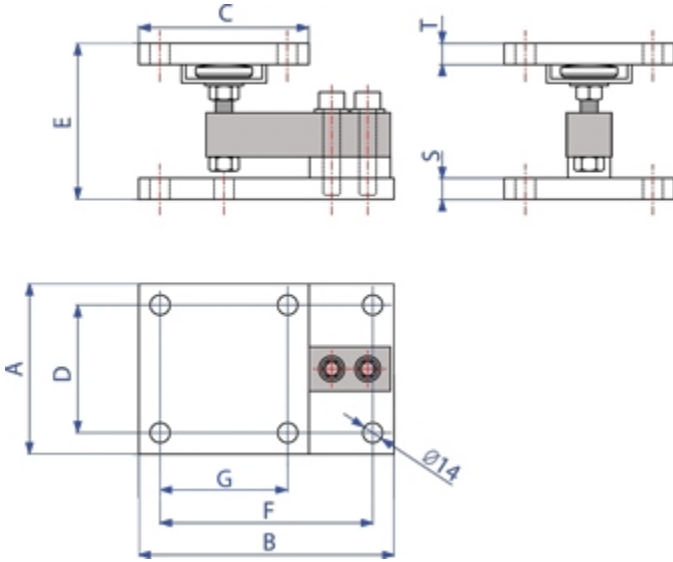
- AISI 304 stainless steel construction
- Simple and quick assembly
- Articulated upper plate for correct weighing in the presence of expansions/flexions
- Height adjustment for optimal levelling of the structure to be weighed
- Available in ATEX version for zones 1&21, 2&22.

**The best solution
for advanced industrial
applications**

MAIN FEATURES

- MANUFACTURED IN AISI 304 STAINLESS STEEL
- HINGE ADJUSTABLE IN HEIGHT
- MECHANICAL COMPENSATION OF THERMAL SWELLINGS AND TRANSVERSAL FORCES
- EASY TO INSTALL
- GUARANTEES THE MAXIMUM PRECISION OF THE LOAD CELL.

DETAIL 1



	A	B	C	D	E	F	G	S	T
KSB5	120	215	120	90	150	185	90	25	15

dimensions in mm



“YOUR WORLDWIDE PARTNER FOR WEIGHING”

DINI ARGEO
FRANCE sarl
France

DINI ARGEO
GMBH
Germany

DINI ARGEO
UK Ltd
United Kingdom

DINI ARGEO WEIGHING
INSTRUMENTS Ltd
China

DINI ARGEO
OCEANIA
Australia



COMPANY HEADQUARTERS

Via Della Fisica, 20
41042 Spezzano di Fiorano Modena - Italy
Tel. +39.0536 843418

SERVICE ASSISTANCE

Via Dell'Elettronica, 15
41042 Spezzano di Fiorano Modena - Italy
Tel. +39.0536 921784



SALES AND TECHNICAL ASSISTANCE SERVICE