

B8D

FEATURES

- Stainless steel IP67 shear beam load cell (250kg is bending beam load cells)
- Suitable for floor scales, automobile test facilities, hopper scales and other weighing devices.
- Current calibrated (sc-option)



AVAILABLE MODELS

xxkg	C3/C5/A5S/A5M/B10M	B8D-xx-xxkg-6B
xxt	C3/C5/A5S/A5M/B10M	B8D-xx-xxt-6B
xxlb	A5S/A5M/B10M	B8D-xx-xx-6YB
xxklb	A5S/A5M/B10M	B8D-xx-xxK-6YB
250lb	C3	B8D-C3-250-6YB
15klb	C3	B8D-C3-15K-6YB
20klb	C3	B8D-C3-20K-6YB
200kg-500kg approved by OIML C5. 500kg-5.0t approved by OIML C3. 200KG-5.0t (500lb-10Klb) approved by NTEP A5S/A5M/B10M.		



test certificate no. TC8010 Revision 0 and D09-05.19
C of C no R60/2000-NL1-11.28 and R60/2000-CN1-06.05

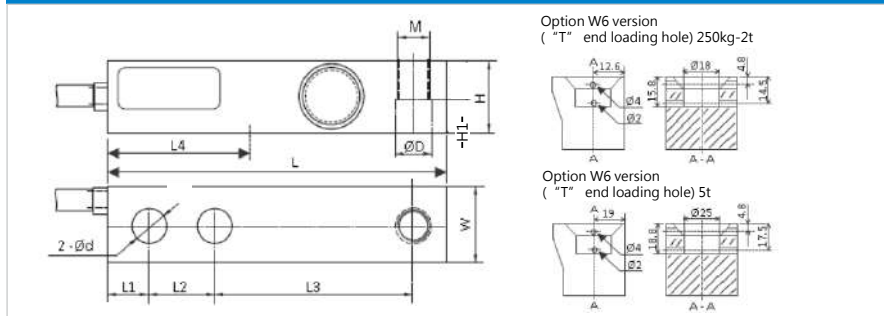


Certificate no. 12-022

SPECIFICATION

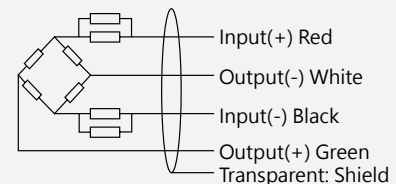
Maximum capacity (E _{max})	t	0.5/1/2/5				
	klb	0.25/0.5/0.75/1/1.5/2/2.5/2.5KLE/3/4/5/5KSE/7.5/10/15/20				
Accuracy class		C3	C5	A5S	B10M	A5M
Approvals		OIML R60 C3	OIML R60 C5			
Maximum number of load cell intervals (n _{LC})		3000	5000	III 5000 Single	IIIL10000Multiple	IIIL5000Multiple
Ratio of minimum LC verification interval Y=E _{max} / V _{min}		10000	18000	15000	10000	15000
Combined error	%FS	±0.02	±0.01	±0.018	±0.050	±0.026
Creep	%FS/30min	±0.016	±0.012	±0.012	±0.040	±0.017
Temperature effect on sensitivity	%FS/10°C	±0.011	±0.007	±0.009	±0.040	±0.013
Temperature effect on zero	%FS/10°C	±0.015	±0.014	±0.01	±0.020	±0.014
Output sensitivity (=FS)	mV/V	3.0±0.008				
Input resistance	Ω	350±3.5				
Output resistance	Ω	350±3.5				
Insulation resistance	MΩ	≥ 5000 (50VDC)				
Zero balance	%FS	±1.0				
Compensated temperature	°C	-10~+40				
Operating temperature	°C	-35~+70				
Excitation, recommended voltage	V	5~12 (DC)				
Excitation maximum	V	18 (DC)				
Safe overload	%FS	150				
Ultimate overload	%FS	300				
Recommended torque on fixation	N.m	M12: 75		M20:450		
Ingress protection (according to EN 60529)		IP67				
ATEX classification (optional)	Operating temperature	°C		-20~+40		
		IIIG Ex ia IIC T4	IIID Ex iaD20 T73°C	IIIG Ex nL IIC T4		

DIMENSIONS IN MM



Capacity	Dimension									
	L	L1	L2	L3	d	H	W	D	H1	M
0.25klb, 0.5klb, 1.5klb, 2klb	130 (5.12)	15.7 (0.62)	25.4 (1.0)	76.2 (3.0)	13.46 (0.53)	28.4 (1.12)	30.7 (1.20)	13.4 (0.53)	14.22 (0.56)	M12-6H 1/2-20UNF-2B
0.5t, 1t, 2t, 2.5klb, 3klb, 4klb, 5kSE	130 (5.12)	15.7 (0.62)	25.4 (1.0)	76.2 (3.0)	13.46 (0.53)	31.32 (1.23)	31.32 (1.23)	13.4 (0.53)	15.75 (0.62)	M12-6H 1/2-20UNF-2B
3t, 5t, 2.5kLE, 5klb, 7.5klb, 10klb, 15klb	171 (6.73)	19 (0.75)	38.1 (1.5)	95.2 (3.75)	20.65 (0.81)	36.8 (1.45)	36.8 (1.45)	20.65 (0.81)	19.05 (0.75)	M20×2.5-6H 3/4-16UNF-2B
20klb	222.25 (8.75)	25.4 (1.0)	50.8 (2.0)	120.7 (4.75)	26.9 (1.06)	49.5 (1.95)	49.5 (1.95)	27.56 (1.08)	24.75 (0.97)	M24×2-6H 1-12UNF-2B

WIRING



- Shielded, 4 conductor cable
- Cable diameter: Φ5mm
- Standard cable length: 6m
- Shield is not connected to the element