

Stainless Steel

Tension type Load Cell

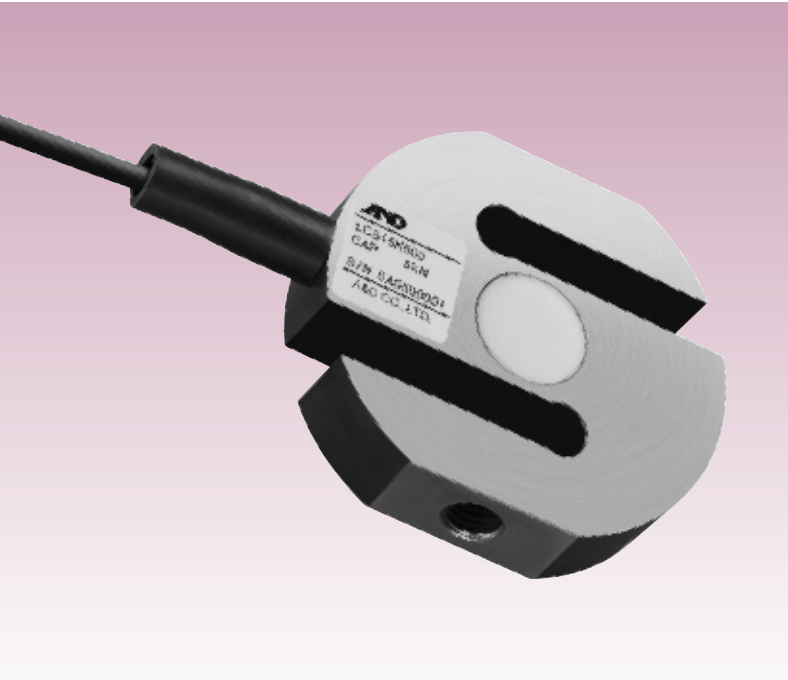
LCS15 Series

★ Tension type Stainless Steel Load Cell

Best suited for tank and hopper scales. The corrosive-resistant, stainless steel is ideal to be used in harsh environments.

The structure is less susceptible to biased loading.

Compression measurements are also possible.



Models & Capacities

Model No.	Capacity
LCS15K500	500kgf (5kN)
LCS15T001	1tf (10kN)
LCS15T002	2tf (20kN)

Specifications

Rated output	2mV/V±0.1%
Safe load limit	150% of R.C.
Combined error	0.03% of R.O.
Recommended excitation voltage	DC5 to 12V
Maximum excitation voltage	DC15V
Zero balance	±1% of R.O.
Input terminal resistance	380±20Ω
Output terminal resistance	350±3.5Ω
Insulation resistance	5000MΩ/DC50V
Compensated temperature range	-10°C to 40°C
Temperature effect on	
Zero balance	0.016% of R.O./10°C
Rated output	0.013% of Load/10°C Typ.
Cable diameter/length	ø5/4.5m
Dustproof/waterproof	IP67

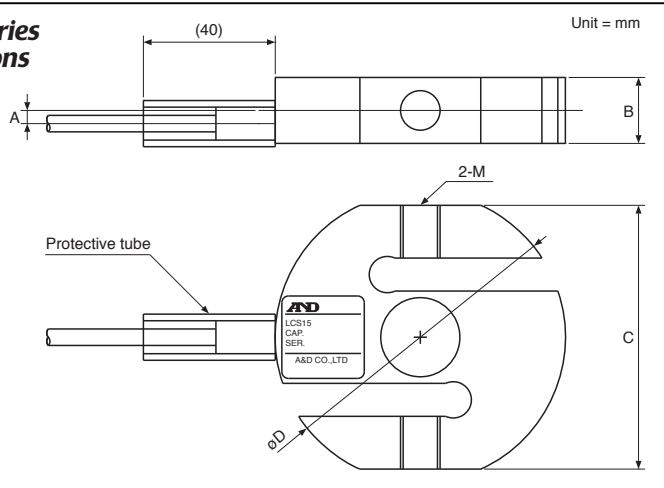
LCS15 Series Dimensions

CABLE COLOR CODE (Tension)

RED	EXC +
WHITE	EXC -
GREEN	SIG +
BLUE	SIG -
YELLOW	SHIELD

CABLE COLOR CODE (Compression)

RED	EXC +
WHITE	EXC -
GREEN	SIG -
BLUE	SIG +
YELLOW	SHIELD



* When used with stainless steel rod-end bearings, please ensure that the normal operating load is less than 1/2 of the rated capacity of the load cell.

Model No.	A	B	C	øD	MXPXDepth	Net Weight(kg)
LCS15K500	4	20	80	88	M12X1.75X16	0.8
LCS15T001	4.5	25	80	88	M18X1.5X15	1
LCS15T002	5.5	35	100	108	M24X2X24	2

Unit = mm

Appearance and/or specifications subject to change for improvement without notice.

A&D

...Clearly a Better Value

A&D Company, Limited

3-23-14 Higashi-Ikebukuro, Toshima-ku, Tokyo 170-0013 JAPAN
Telephone: [81] (3) 5391-6132 Fax: [81] (3) 5391-6148
http://www.aandd.jp

A&D ENGINEERING, INC.

1756 Automation Parkway, San Jose, CA 95131 U.S.A.
Telephone: [1] (408) 263-5333 Fax: [1] (408) 263-0119

A&D MERCURY PTY. LTD.

32 Dew Street, Thebarton, South Australia 5031 AUSTRALIA
Telephone: [61] (8) 8301-8100 Fax: [61] (8) 8352-7409

A&D INSTRUMENTS LTD.

Unit 24/26 Blacklands Way Abingdon Business Park,
Abingdon, Oxon OX14 1DY UNITED KINGDOM
Telephone: [44] (1235) 550420 Fax: [44] (1235) 550485

German Sales Office

Große Straße 13 b 22926 Ahrensburg, GERMANY
Telephone: [49] (0) 4102 459230 Fax: [49] (0) 4102 459231

A&D KOREA Limited

Manhattan Bldg. 8F, 36-2 Yoido-dong, Youngdeungpo-gu, Seoul, KOREA
Telephone: [82] (2) 780-4101 Fax: [82] (2) 782-4280

A&D RUS CO., LTD.

Vereyskaya str. 112 Kuntsevo Block, 121357,
Moscow, RUSSIA
Telephone: [7] (495) 937-33-44 Fax: [7] (495) 937-55-66

A&D Instruments India Private Limited

509 Udyog Vihar Phase V Gurgaon-122 016,
Haryana, INDIA
Telephone: [91] (124) 471-5555 Fax: [91] (124) 471-5599

* LCS15-ADCC-01-NA1-08a05