

2150 – Data Sheet



- Trade approved 6,000d@1μV/d
- Large 27mm (1.1in) Alpha LCD Display with LED backlighting
- Dedicated baggage-weighing functions
- Printing output option
- Remote display output
- Up to 3 overload alarms
- Combine with 2101 remote display

The 2150 has dedicated baggage-weighing functionality for easy monitoring of both the total weight summing and the number of bags to ensure preset bag numbers and weight limits are not exceeded.

Dedicated key pad functions: Dedicated function keys offer a superior operator interface, along with pre-determined bag and total weight limits to warn of excess baggage weights.

Standard serial output: Can send data to an optional 2101 remote display for customer viewing, for printing or for network communications. An optional serial splitter device can be used to allow data to be sent to more than one device at a time.

Suitable in various lighting conditions: The large 27mm (1.1") high LCD display and LED backlighting make for improved visibility in all lighting conditions.

Panel mount: The 2150 and 2101 have a slim housing (only 23mm 0.9" deep) making them easy to install mounting directly on a surface with small cut outs only required for cabling to pass through.

Smart Weighing



Flush Mount - The standard indicator (12VDC) is flush mount with a maximum depth of only 23mm, small cutouts only required for cabling.

Stainless Steel Housing - The optional stainless steel housings allow for standalone desk/wall mounting accommodating the three power options (12-24VDC, 110-240VAC or battery).

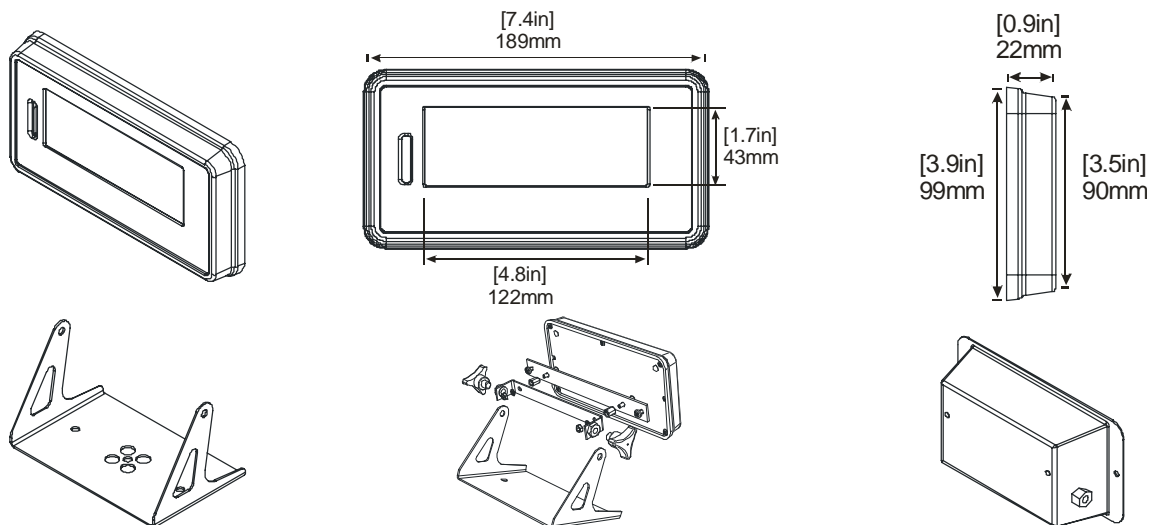
These options ensure that the indicators can be suitably mounted in a variety of environments.

..now that's smart weighing.

2100 Series Specification Table

		2100	2150
Resolution		Up to 30,000 d, minimum of 0.25 μ V/d	
Approvals		6,000 d at 1 μ V/d NSC S403, OIML R76 FCC, CE, C-tick,	
Zero Cancellation		\pm 2.0mV/V	
Span Adjustment		0.1mV/V to 3.0mV/V full scale	
Excitation		8V for up to 8 x 350 ohm load cells (6-wire + shield)	
A/D Converter Type		24bit Sigma Delta 8,388,608 internal counts	
Operating Environment		Temperature: -10 to +50°C ambient (14 °F to 122 °F), Humidity: <90% non-condensing	
Display		LED Backlit LCD with six 27mm (1") high digits with units and annunciators	
Setup and Calibration		Full digital with visual prompting in plain messages	
Digital Filter		Averaging from 1 to 100 consecutive readings	
Zero Range		Selectable from \pm 2% to \pm 20% Full Scale	
Standard Power Input		9 to 15VDC (60mA to 400mA depending on load cells and backlight) ON/OFF key with override and Auto-Off software	
Variants	DC	12-24VDC 10VA fitted in stainless steel housing	-
	AC	110/240VAC 50/60Hz 10VA fitted in stainless steel housing	
	Battery	12VDC 2.5Ah NiMH rechargeable battery fitted in stainless steel housing	
Linearity Correction		Five (5) point	
Serial Output		RS232 automatic transmit, network or printer outputs. Transmission rate: 2400, 4800 or 9600 baud	
Assignable Function Keys		1	-
Range		Single	
Clock		Battery Backed Clock Calendar	
Functions		Unit switching, total, hold & peak hold, live weigh and counting Batching – 1 Material, 2 Speed and Dump. Basic check weighing – low/pass/high	Total weight summing Number of bags Dedicated keypad functions
Set points		3	
Count-by		1, 2, 5, 10, 20, 50, 100 (Entered in Displayed Weight)	
Packing Weight		0.9kg (31 oz)	
Optional Mounting		Stainless steel desk mount IP65 Stainless steel rear housing with a variety power options	

Specifications are subject to variation for improvement without notice. Illustrations are indications only and variation may be evident between products.



Stainless steel bracket

Mounting unit directly on bracket

IP65 stainless steel rear housing