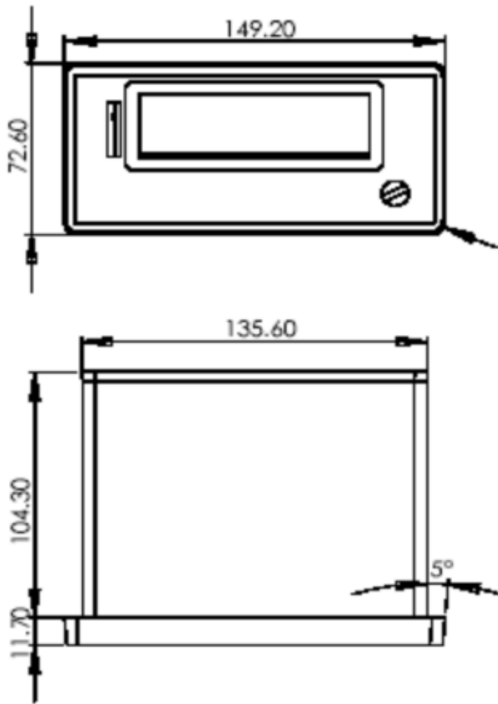


5000 Series Specification Table

	5000	5100	5200	5230
Resolution	Up to 100,000d, minimum of 0.15 μ V/d			
Approvals	C-tick,	C-tick,	CE, C-tick,	
	Australia NMI(S-363) 6,000d @ 0.5uV/d	Australia NMI(S-363) 6,000d @ 1.5uV/d	Australia NMI(S-418) 6,000d @ 0.5uV/d	
			Europe OIML 6,000d @ 0.5uV/d	
Zero Cancellation	+ / - 2.0mV/V			
Span Adjustment	0.1mV/V to 3.0mV/V full scale			
Excitation	8V for up to 8 x 350 ohm load cells (4-wire or 6-wire plus shield)		8V for up to 12 x 350 ohm load cells (4-wire or 6-wire plus shield)	
A/D Type	24 bit Sigma Delta with 8,388,608 internal counts			
Operating Environment	Temperature -10 to +50°C (14 °F to 122 °F), Humidity < 90% non condensing			
Display	Green LEDs with 14.5mm (0.6") high 6 digit primary display	Backlit LCD with 20mm (0.8") high 6 digit primary display		
Setup And Calibration	Full digital with visual prompting in plain messages			
Digital Filter	Averaging from 1 to 200 consecutive readings			
Zero Range	Adjustable from 4% to 100% of full capacity			
Power Supply	DC	12/24VDC 3-5VA		12/24VDC 10VA
Options	AC	110-240VAC 50/60Hz 3-5VA		110-240VAC 50/60Hz 10VA
Correction	5 point linearity correction			
Serial Outputs	Serial 1: RS232/RS485			
	Serial 2: RS232			
Assignable Function	-	1		
Operating Modes	Single Range, Dual Range and Dual Interval			
Clock	Battery Backed Clock Calendar			
Accessory Cards				
Analogue Accessory	0-10V and 4-20mA opto isolated			
Setpoint Accessory Card	4 x isolated 50V, 500mA open collector transistor drives and 4 x isolated digital inputs (5V to 28V)			
Combo Accessory Card	-10 to 10 V or 4-20mA opto isolated analogue output, two outputs and one input as per the Setpoint card.			
No. of Option Slots	1	1 or 2 (Dual 12-24VDC version)	1	
Protocols	Profibus DP and Modbus ASCII			
Functions	Totalising, Hold and Peak Hold	20 Material Batching 99 Recipes User defined material and recipe names Report and usage logs	Totalising, Counting, Grading 99 Products Catchweighing/checkweighing Configurable printing	Single and Split weighing 200 Memory allocations On-scale product filling
Setpoints	4	20	4	4
Packing Weights	1.1kg (39 oz)	1.3kg (49 oz)	1.2kg (42 oz)	1.2kg (42 oz)
Optional Mounting	Stainless steel desk and wall mounts			
	IP65 Stainless steel housing with desk mount			

5000



5100/5200/5230

