

AD-4329

Weighing Indicator



*Meets your needs to
expand your business today!*

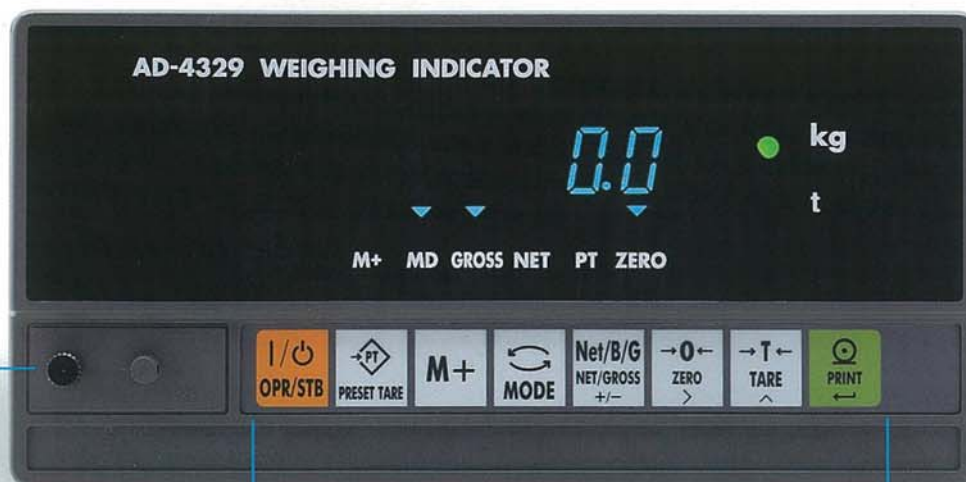


A&D ...Clearly a Better Value
A&D Company, Limited
www.aandd.co.jp

AD-4329

Weighing Indicator

- ★ Standard RS-232C Interface
- ★ 4-Point digital linearization across the full span
- ★ Triple ranges on weighing capacity are available
- ★ Comparator output to an optional relay
- ★ Vacuum fluorescent display



CAL

Hidden behind the cover on the front panel. Enter the calibration mode/Enter the CF functions settings.

Keys

OPR/STB — Turns display On/Off. The load cell is still powered when the display is off.

PRESET TARE — Sets the preset tare weight.

M+ — Accumulates the displayed weighing value.

MODE — Displays and clears the accumulated weighing values. Used in calibration.

NET/B/G NET GROSS — Switches between net and gross weights.

0 ZERO — Sets the zero point.

T TARE — Subtracts the tare weight.

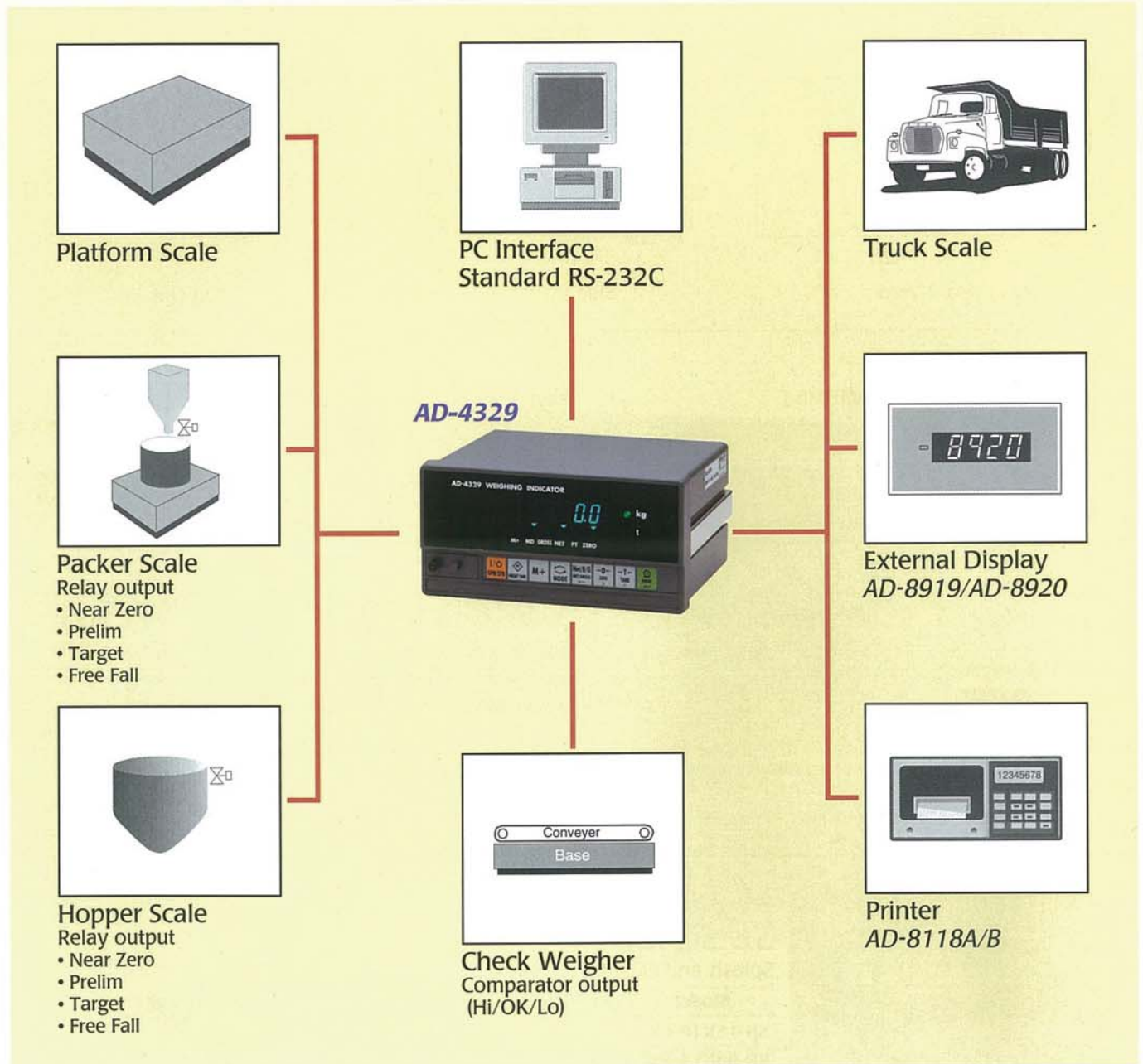
PRINT — Outputs data to a peripheral device such as a printer. Save parameters in the Function settings.

The AD-4329 is your best choice for a variety of applications such as platform scale, packer scale, hopper scale, check-weigher and truck scale.

- Vacuum fluorescent display.
- Accumulative data is stored into memory automatically or manually.
- Comparator output (Hi/OK/Lo) to optional relays.
- Set-point comparison for batching applications. (Near Zero/Prelim/Target/Free Fall)
- Selectable weighing ranges.(up to triple ranges)
- Standard RS-232C.
- 4-point digital linearization.
- 1/20,000 displayed count resolution.(maximum)
- Powers up to 8 units of load cells at 350Ω.
- Averaging time and width can be selected for various applications.
- RFI/EMI protected.
- Meets OIML Class III specifications.
- Mount on panel, column or desk top.
- Enters predetermined tare weight from keypad.
- Can be controlled via external input.

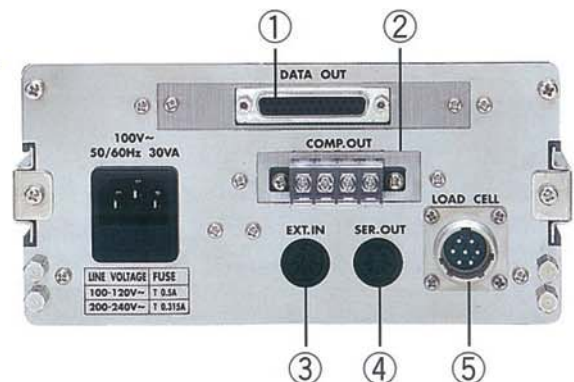
Your Best Solution

Best Price Performance for your various applications



Rear Panel View

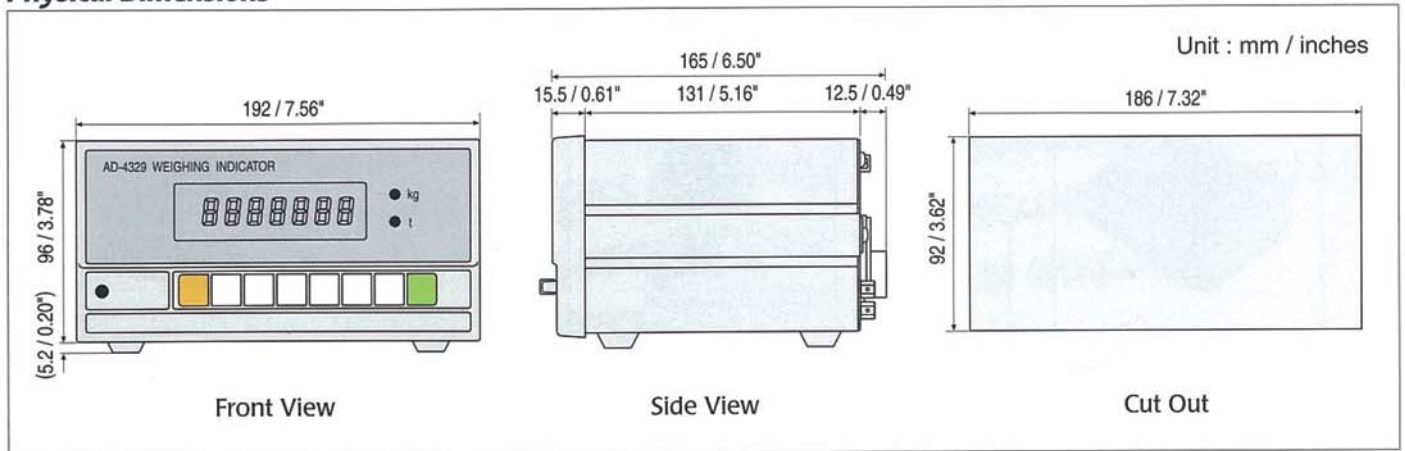
- ① Standard RS-232C Interface
- ② Optional comparator output (AD-4329-02)
- ③ External control input
- ④ Standard current loop output
- ⑤ Load cell connector



AD-4329

Weighing Indicator

Physical Dimensions



Specifications

Input Sensitivity ———— 0.2 μ V/d (Min.)
 Input Signal Range ———— -1mV to +15mV
 Load Cell Excitation ———— 5V DC \pm 5%
 Load Cell Drive Capacity — Up to 8 units of load cell at 350 Ω (120mA)
 Zero Temperature Coefficient — \pm (0.2 μ V+8ppm of dead load)/ $^{\circ}$ C (typ)
 Span temperature Coefficient — \pm 8ppm/ $^{\circ}$ C of reading (typ)
 Non-Linearity ———— 0.01% of full scale
 Maximum Input Noise ———— Less than 0.4 μ Vp-p
 Input Impedance ———— 10M Ω or more
 A/D Conversion method ———— Integrating dual slope type
 A/D Internal Resolution ———— 40,000 counts
 Maximum display resolution ———— 20,000 counts (maximum)
 A/D Conversion rate ———— Approximately 10 times/sec.
 Weight Display ———— Vacuum Fluorescent Display, 7-digit, 7-segment, 13mm (character height)
 Annunciator ———— Stable, Zero Point, Gross, Net, Tare, Accumulation, kg/t or lb

Keys ———— STANDBY/OPERATE, NET/GLOSS, PRESET TARE, TARE, ZERO, M+, MODE, PRINT
 Power Supply ———— 100 to 240V AC (to be switched on voltage request), 45 to 65Hz, 30VA
 Net Weight ———— Approximately 1.8 kg / 4.0 lb
 Dimensions ———— 192(W) \times 96(H) \times 165(D) mm (compliance with DIN)
 Panel Cut Out Dimensions ———— 186(W) \times 92(H) mm
 Operating Temperature ———— -10 $^{\circ}$ C to 40 $^{\circ}$ C (14 $^{\circ}$ F to 104 $^{\circ}$ F)
 Storage Temperature ———— -10 $^{\circ}$ C to 70 $^{\circ}$ C (14 $^{\circ}$ F to 158 $^{\circ}$ F)

Options

AD-4329-02 ———— Comparator output (Relay output)

Standard accessories

- AC cable (2 meters)
- External input plug
- Load cell input plug
- Rubber-foot (4 pcs)
- Capacity sticker
- Current loop output plug



Weighing Platform SB Series

Splash and Dust Proof, equivalent to IP-65.

Model	Capacity (kg/lb)	Pan size (mm/inches)	Net weight (kg/lb)
SB-15K10-EX	15/30	250 \times 250/9.8 \times 9.8	4.5/9.9
SB-60K11-EX	60/150	330 \times 424/13.0 \times 16.7	8.0/17.6
SB-100K12-EX	100/200	390 \times 530/15.4 \times 20.9	14.0/30.8
SB-200K12-EX	220/500	390 \times 530/15.4 \times 20.9	14.0/30.8

Rated output 1mV/V \pm 10%

Specifications subject to change for improvement without notice.

A&D

...Clearly a Better Value

A&D Company, Limited

3-23-14 Higashi-Ikebukuro, Toshima-ku, Tokyo 170-0013 JAPAN
 Telephone: [81] (3) 5391-6132 Fax: [81] (3) 5391-6148
 http://www.aandd.jp

A&D ENGINEERING, INC.

1555 McCandless Drive, Milpitas, CA. 95035 U.S.A.
 Telephone: [1] (408) 263-5333 Fax: [1] (408) 263-0119

A&D MERCURY PTY. LTD.

32 Dew Street, Thebarton, South Australia 5031 AUSTRALIA
 Telephone: [61] (8) 8301-8100 Fax: [61] (8) 8352-7409

A&D INSTRUMENTS LTD.

Unit 24/26 Blacklands Way Abingdon Business Park,
 Abingdon, Oxon OX14 1DY United Kingdom
 Telephone: [44] (1235) 550420 Fax: [44] (1235) 550485
 <German Sales Office>
 Große Straße 13 b 22926 Ahrensburg, GERMANY
 Telephone: [49] (0) 4102 459230 Fax: [49] (0) 4102 459231

A&D KOREA Limited

Manhattan Bldg. 8F, 36-2 Yoido-dong, Youngdeungpo-gu, Seoul, KOREA
 Telephone: [82] (2) 780-4101 Fax: [82] (2) 782-4280

A&D RUS CO., LTD.

Korp.134A, D.29, UL. Vereiskaya, Moscow, 121357
 RUSSIAN FEDERATION
 Telephone: [7] (495) 221-5217 Fax: [7] (495) 983-3059